

ELECTRIC ARTICULATING BOOM LIFTS

# AB26EJ PLUS (AB850EJ PLUS)

Compliant with AS 1418 · 10 standards

## PRODUCT HIGHLIGHTS

### Leading Platform Height

- 25.65 m (84'2") platform height, higher than most other brands in this range.

### Leading Horizontal Outreach

- 19.1 m (62'8") maximum horizontal outreach, longer than most other brands in this range.

### Increased Platform Capacity

- Update the platform capacity from 230kg to 230kg/340 kg(unrestricted/restricted)

### Active Oscillating Function

- allow oscillating at both stowed and raised positions

### 4WS with 3 Steering Modes

- Convenience for driving on the narrow job site

### Transport in Container

- The new boom structure design allows driving into container for transportation

### Safer Boom Movement Interlock

- The telescopic and lifting of the secondary boom are hydraulic and electric dual interlocked. Compared to only electric interlock, it is more reliable and safer

### Reliable Electric Components

- Same driving motors and motor controllers as other electric booms
- Lithium battery



#### Standard Features

4WD × 4WS	Fault diagnosis system	Telematic ready
Hydraulic platform leveling	Emergency lowering system	Battery isolator
Flashing beacon	Lithium Batteries	Secondary guarding system
Proportional control	Weight management system	White noise alarm
Tilt protection system	Non-marking tires	Half-mesh for platform
Manual storage box		

#### Options & Accessories

Wheel nut indicators	Panel lifting system	Telematic device
Fire extinguisher/Bracket	Mine spec	Driving light
Pipe lifting system	AC power to platform	

**SINOBOOM™**

**PARTNERS IN ACCESS™**

🌐 [SINOBOOM.AU](http://SINOBOOM.AU) | ☎ 03 8905 1550

HO: BRISBANE – 39 ALTA ROAD, CABOOLTURE QLD 4510 | SYDNEY – 1/3 VOYAGER CT, GLENDENNING NSW 2761

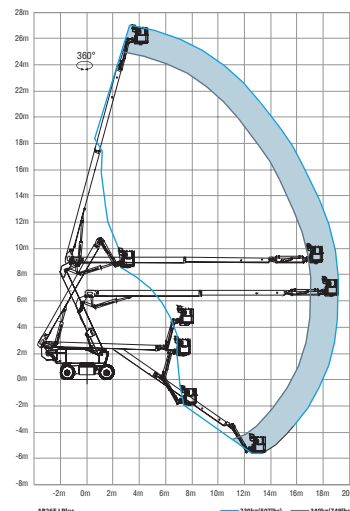
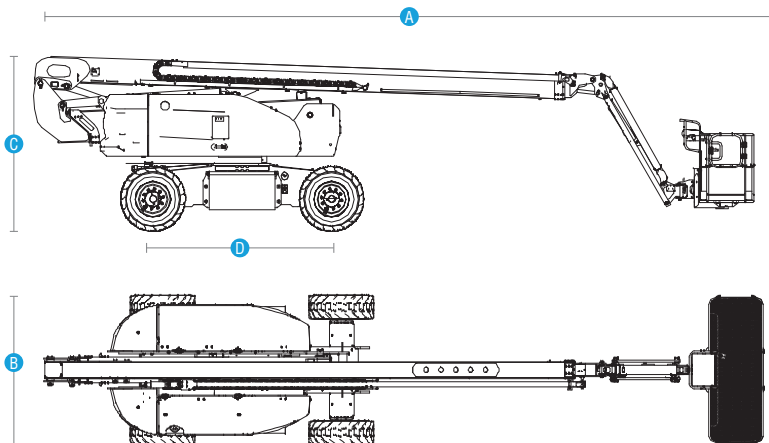
MELBOURNE – 32-34 MARNI, DANDENONG SOUTH VIC 3175

**ELECTRIC ARTICULATING BOOM LIFTS**

# AB26EJ PLUS (AB850EJ PLUS)

Compliant with AS 1418 · 10 standards

Model	AB26EJ Plus (AB850EJ Plus)
<b>Dimensions</b>	
Max Platform Height	25.65 m (84'2")
Max Working Height	27.65 m (90'9")
Max Horizontal Outreach (230kg/340kg)	19.1 m /17.0 m (62'8" /55'9")
Max Up and Over Clearance	9.07 m (29')
A Stowed Length	12.09 m (39'8")
B Machine Width	2.49 m (8'2")
C Stowed Height	2.93 m (9'7")
Stowed Length (Transport)	9.49 m (31'2")
Stowed Height (Transport)	3.28 m (10'9")
D Wheelbase	3.0 m (9'10")
Ground Clearance	0.46 m (1'5.1")
Platform Size (L×W×H)	2.44 m × 0.91 m × 1.1 m (8' × 3' × 3'7")
<b>Performance</b>	
Max Platform Capacity (Unrestricted/Restricted)	230 kg/340 kg (507 lbs/749 lbs)
Max Platform Occupants	2 Persons
Drive Speed (Stowed)	0 ~ 4.8 km/h (0 ~ 3.0 mph)
Drive Speed (Raised)	0 ~ 1.1 km/h (0 ~ 0.7 mph)
Gradeability	45%
Turntable Rotation	360° /Continuous
Platform Rotation	180°
Tilt Rating	5°
Turning Radius(Inside/Outside)	2.25 m/4.60 m (7'5" / 15'1") (Four-wheel steering)
Turntable Tail-swing	1.13 m (3'8")
Max Allowable Side Force	400 N (90 lbf)
Max Allowable Wind Speed	12.5 m/s (28 mph)
Tire Spec/Type	385/65-22.5 /foam-filled
<b>Power</b>	
Drive × Steer	4 WD × 4 WS
Batteries	83.2 V, 500 Ah (lithium battery)
Hydraulic Tank Capacity	180 L (39.6 gal(UK)/47.6 gal(US))
Oil Capacity of Hydraulic Tank	150 L (33.0 gal(UK)/39.6 gal(US))
Hydraulic System Pressure	22 MPa (3191Psi)
System Voltage	80 V DC
<b>Weight</b>	
Weight	18,750 kg (41,336 lbs) (Four-wheel steering)
Standards Compliance	AS 1418 · 10



This document is provided for information purposes only and reflects product information available at the time of publication. Sinoboam Intelligent Equipment Pty Ltd reserves the right to change specifications, designs, and equipment without notice and makes no representations or warranties. Where indicated, AS-marked platforms conform to AS/NZS 1418.10:2011. Refer to the applicable Sinoboam Operating, Maintenance, and Parts Manuals for correct use and procedures. 03.2026